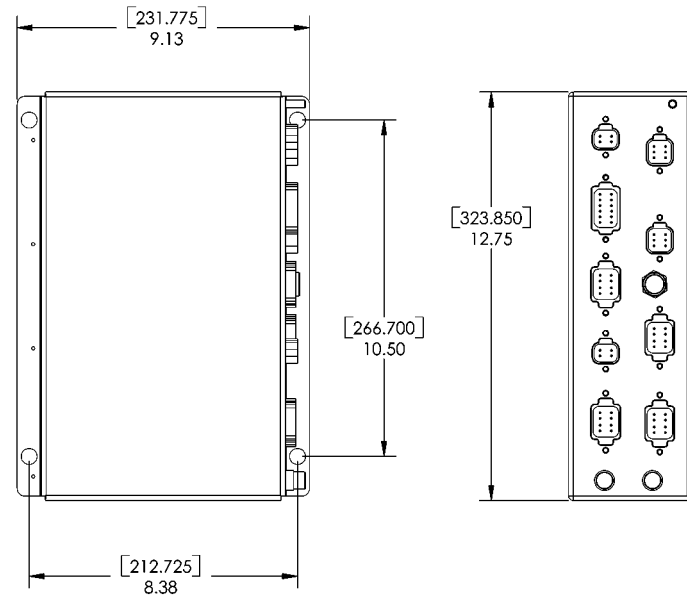
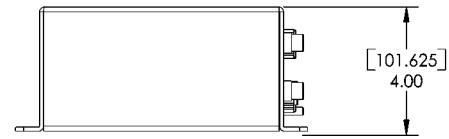


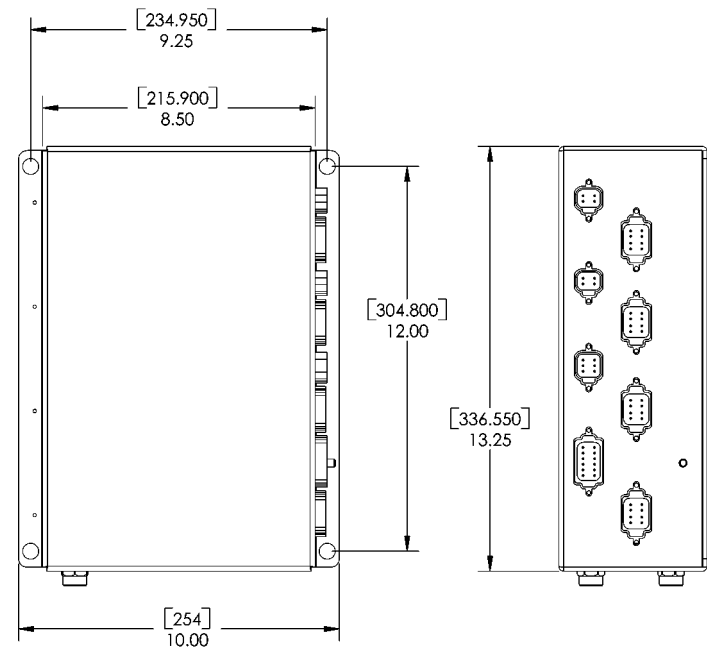
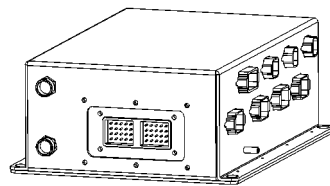
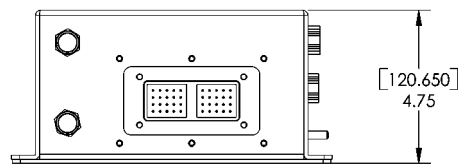
# EEC-3 Control Processor

GMP Part No. - 11230-XX



# GTB Control Processor

GMP Part No. - 11251-XX



FOR MORE INFORMATION ON THE GLENDINNING EEC-3 SYSTEM, CONTACT:



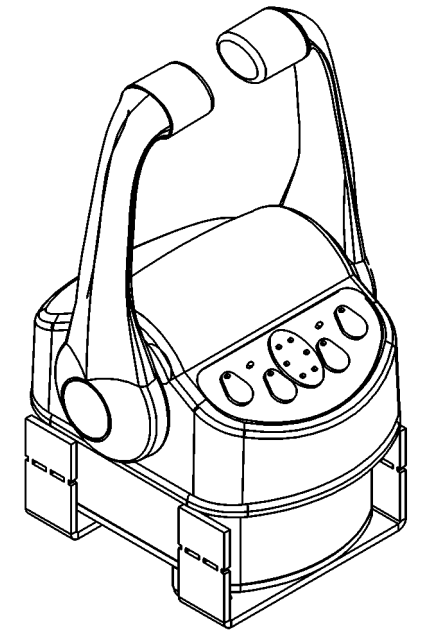
**GLENDINNING**  
MARINE PRODUCTS, INC.  
www.glendinningprods.com

EEC3D

740 CENTURY CIRCLE  
CONWAY, SC 29526  
(843) 399-6146  
FAX: (843) 399-5005

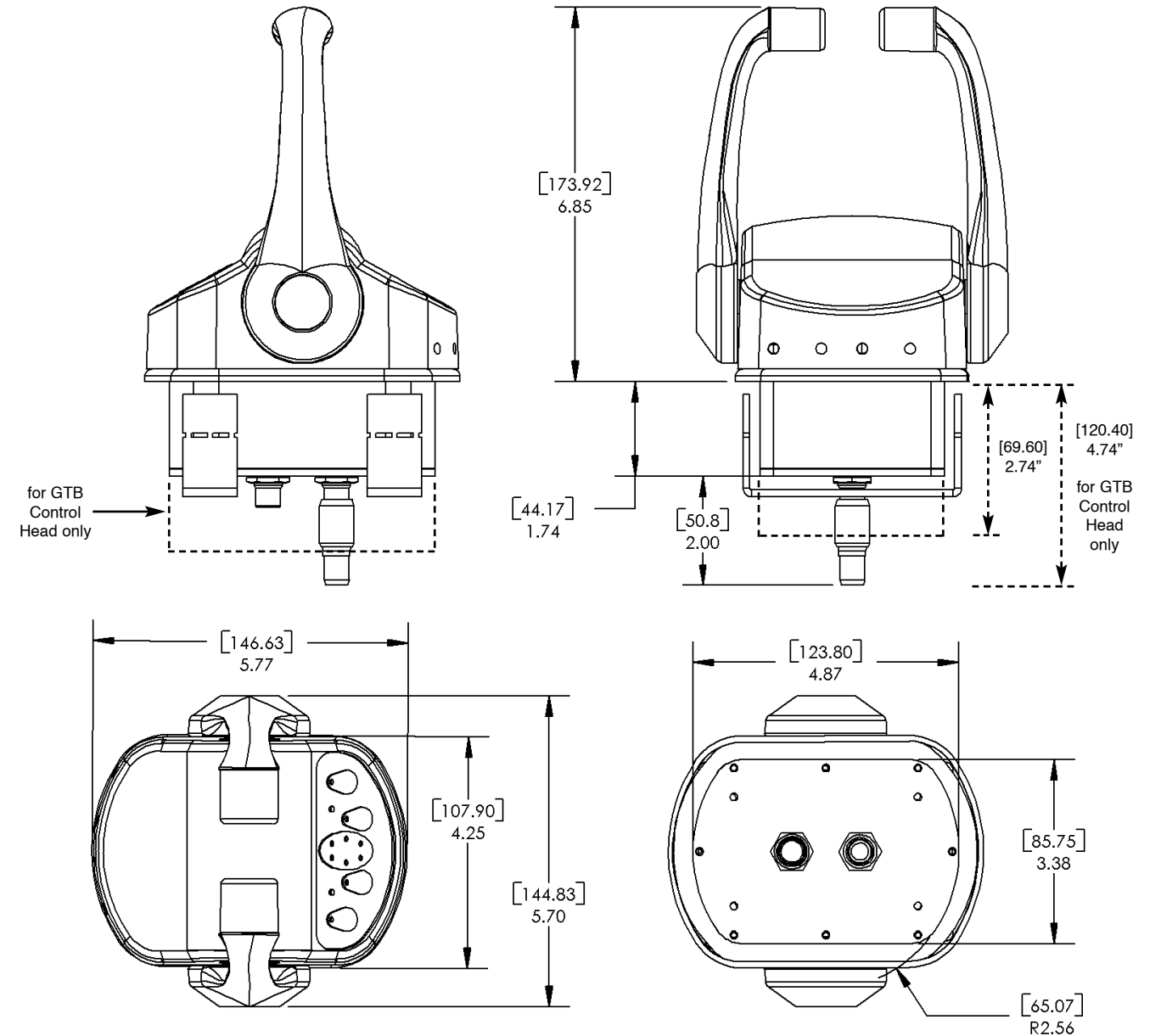


# Electronic Engine Control Model EEC-3 Component Dimensions

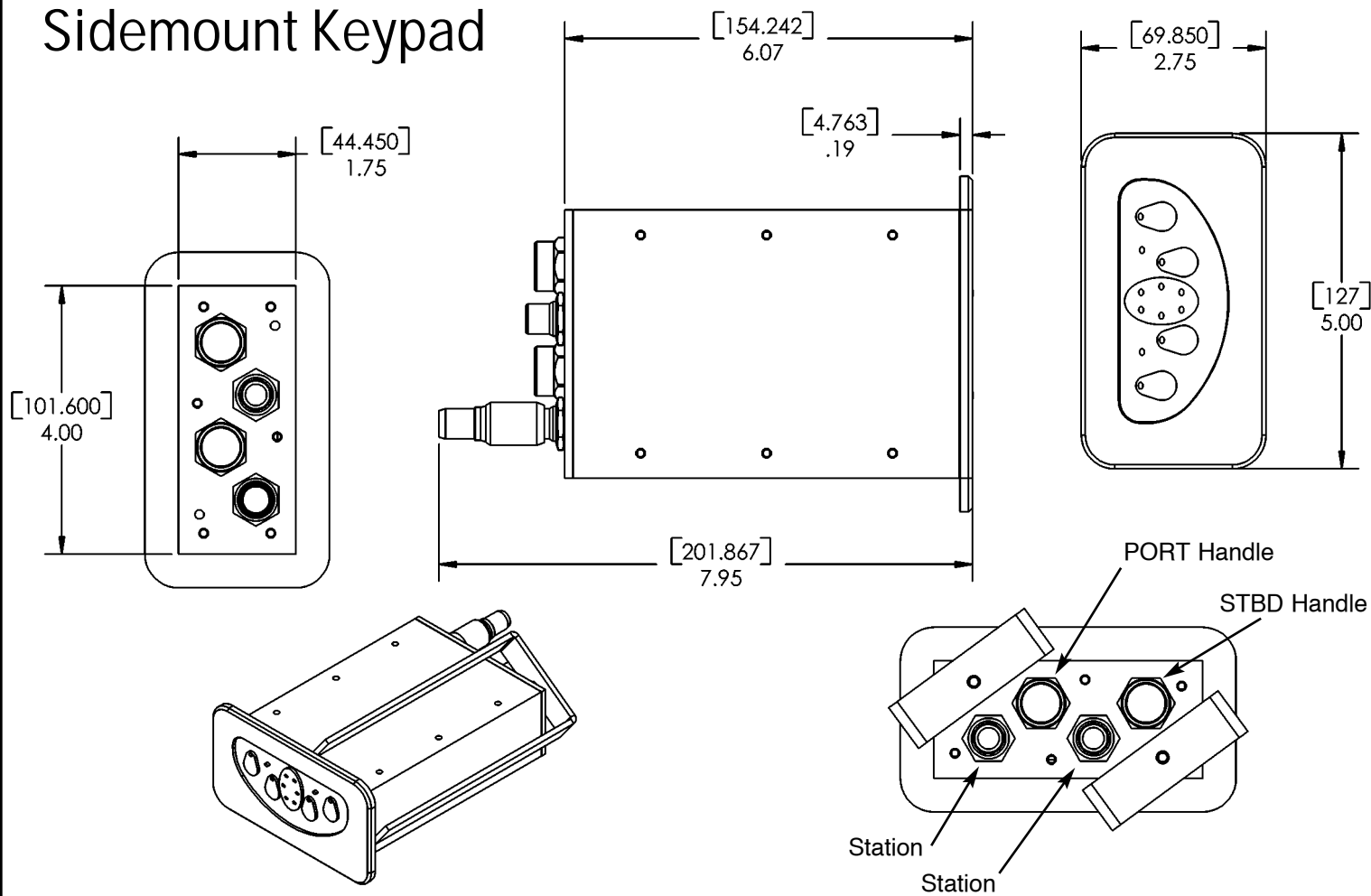


## CONTROL HEAD

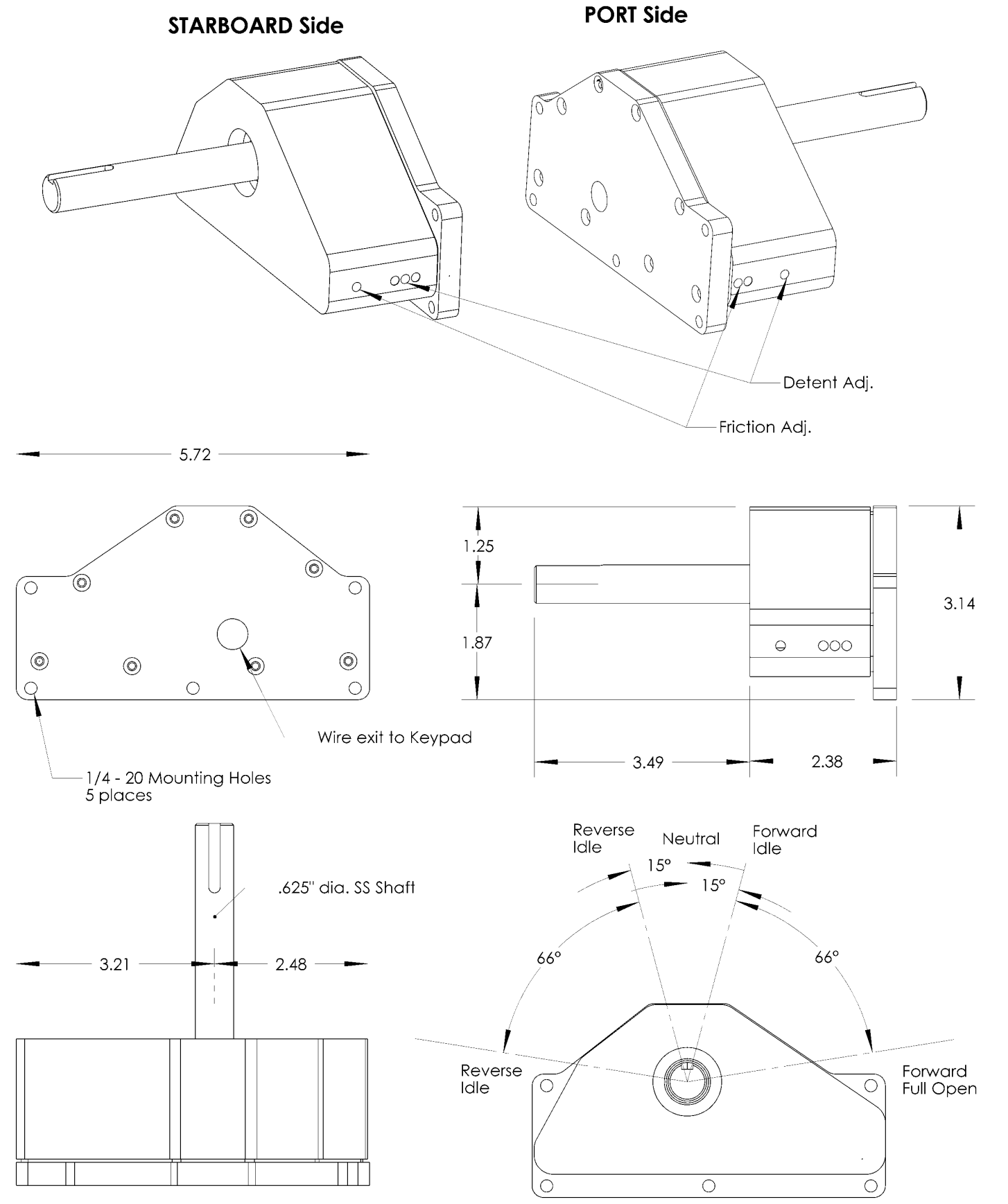
Top Mount Control Head - GMP PN - 11413-XXXX  
GTB Control Head - GMP PN - 11413-XXX-GTB



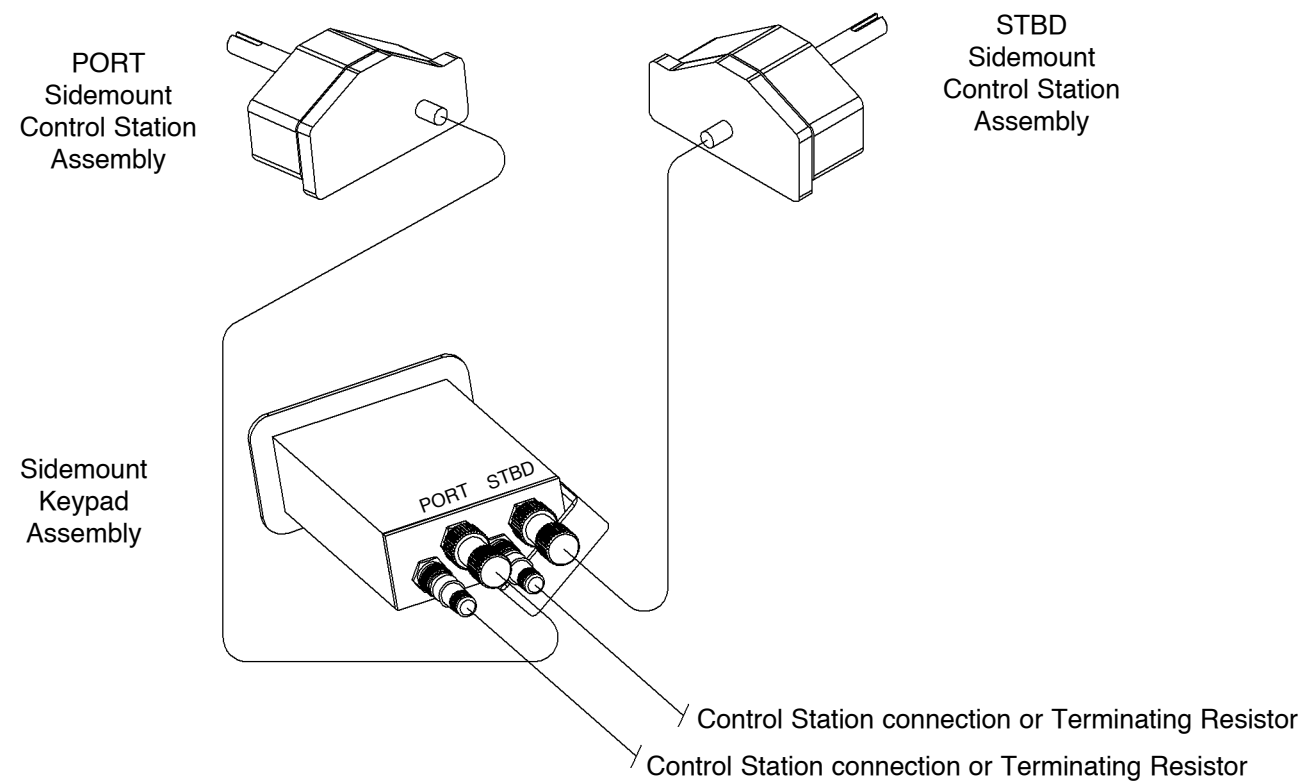
# Sidemount Keypad



# Sidemount Handle Assembly



# Sidemount Keypad Assembly Wiring



(STARBOARD Side Handle Shown)